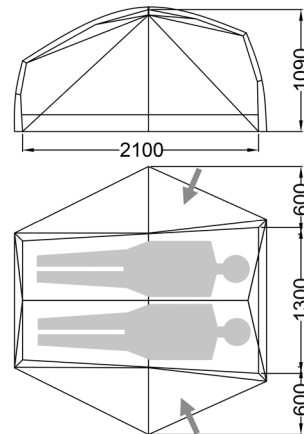




WILDERNESS EQUIPMENT SPACE 2



This tent breaks new ground in lightweight design and performance. We've used our unique dihedral pole hubs to create a low-profile, wedge-shaped tent envelope with an efficient, spacious interior. The Space 2 is a fully-featured, 2-person backpacking tent. With fabrics and construction at full spec, including the 5,000mm PEU coated floor and 3000mm outer skin, it is remarkably light weight. This tent is also uniquely equipped to stand up to strong wind - conditions that send other would-be tents in the sub-2kg weight category packing. Connect up the tent's internal hub-to-hub tension link to stiffen the shape. If you also invert your walking or ski poles and make them part of the framework, the Space 2 achieves a level of stability only seen in much heavier, multi-pole geodesic tents.

- » Spacious, stable, 2-person, super-light backpacking tent
- » Ground sheet option available for use with the outer tent
- » Vestibules and openings on both sides for convenient access and cross-ventilation
- » Effective (and innovative) outer tent vents at ridge height
- » 30d sil/sil nylon 66 ripstop outer skin with 3,000mm HH
- » 20d mesh inner tent canopy fabric
- » 40d high-tenacity ripstop nylon floor with 5,000mm HH pigmented PeU coating
- » Side and end guy points provided
- » End points include guy pockets

SPECIFICATIONS

| | |
|---------------------------|-----------------------|
| People: | 2 |
| Seasons: | 3 |
| Doors: | 2 |
| Colour: | Apple Green |
| Packed Weight: | 1.97kg |
| Minimum Weight: | 1.78kg |
| Floor Dimensions (L x W): | 2.10 x 1.30m |
| Floor Area: | 2.70m ² |
| Vestibule Area: | 2x 0.63m ² |
| Packed Size (L x ø) | 400mm x 130mm |