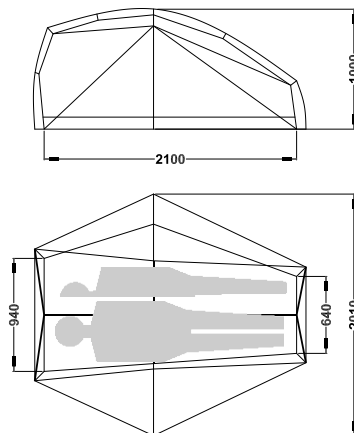




## WILDERNESS EQUIPMENT SPACE 1 WINTER



We have applied the materials and construction techniques used on our popular Space 2 model to create a smaller, lighter package for solo hiking and cycle touring. We have used our unique dihedral 3-way pole hubs to create a low-profile, wedge-shaped tent envelope with an incredibly spacious interior. With the use of low denier, high tenacity nylons throughout, both versions are extremely light given the floor performance has not been sacrificed in the process - the high grade PEU coating delivers a minimum HH of 5,000mm. The Space 1 is uniquely equipped to stand up to strong wind - the conditions that send other tents in this weight category packing. You can invert your walking or ski poles and make them part of the Space 1 framework. Connect up the tent's internal hub-to-hub tension strap as well and the Space 1 achieves a level of stability only seen in heavy, multi-pole geodesic tents.

- » Spacious, stable, 1.5-person, super-light backpacking tent
- » Ground sheet option available for use with the outer tent
- » Effective (and innovative) outer tent vents at ridge height
- » 30d sil/sil nylon 66 ripstop outer skin with 3,000mm HH
- » 20d air-breathable nylon inner tent canopy fabric
- » 40d high-tenacity ripstop nylon floor with 5,000mm HH pigmented PeU coating
- » Side and end guy points provided
- » Framework: 8.5mm OD 7001 aluminium, WE dihedral hubs. press-fit connectors
- » Pegs: 6 x 4-Flute HT Aluminium, with pull cords

### SPECIFICATIONS

|                           |                    |
|---------------------------|--------------------|
| People:                   | 1.5                |
| Seasons:                  | 3                  |
| Doors:                    | 1                  |
| Colour:                   | Apple Green        |
| Packed Weight:            | 1.61kg             |
| Minimum Weight:           | 1.47kg             |
| Floor Dimensions (L x W): | 2.10 x 1.14m       |
| Floor Area:               | 1.94m <sup>2</sup> |
| Vestibule Area:           | 0.60m <sup>2</sup> |
| Packed Size (L x ø)       | 400mm x 120mm      |