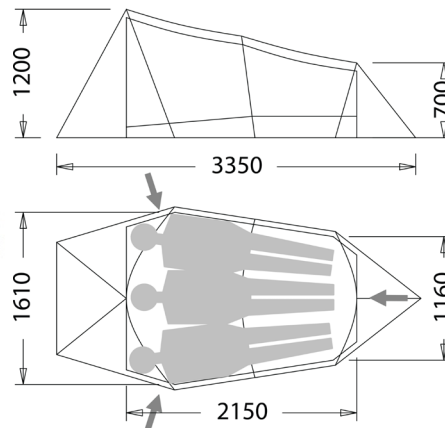




## WILDERNESS EQUIPMENT FIRST ARROW



The lightest-weight version yet of our classic 2 or 3-person tapered tunnel tent uses 30 denier, high-tenacity Nylon 66 with a 3000mm HH silicone elastomer coating inside and out. Water-repellency, snow shedding and UV resistance are greatly enhanced. Equally at home in the high mountains or in tropical humidity, with outstanding aerodynamics, high strength, brilliant space distribution, unequalled convective and forced flow-through ventilation capacity, year-round versatility and light weight, the First Arrow has been the one-tent-for-anything choice of mountaineers, ski-tourers and bushwalkers for nearly 30 years. It is no surprise that this tent is a flagship for our uncompromising level of design and construction detail.

- » 5-season, 2/3-person tapered tunnel tent
- » Siliconised 30D Nylon 66 outer with 3,000mm HH sil/sil coating
- » Unstressed, 40D Nylon deep tub floor with grey 5,000mm HH PE coating
- » Double-sided entry maximises useful vestibule space
- » Inner tent length: 215cm. Sit-up height 110cm in working space

### SPECIFICATIONS

People:	3
Seasons:	4+ Extreme Weather Conditions
Doors:	3
Colour:	Apple Green
Packed Weight:	2.28kg
Minimum Weight:	2.08kg
Floor Dimensions (L x W):	2.15m x 1.61m
Floor Area:	2.97m <sup>2</sup>
Vestibule Area:	0.831m <sup>2</sup>
Packed Size (L x Ø)	420mm x 140mm